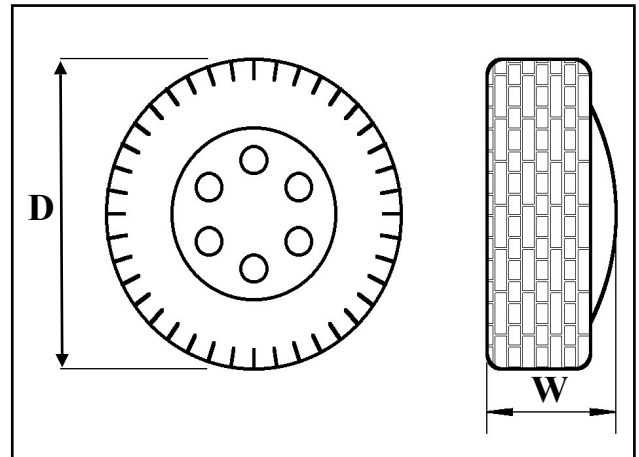


Auto Clamp Data Sheet



Features:

- Top arms fully adjustable for tyre width and diameter, case hardened to 746 VPN (60 rockwell).
- Rubber covered steel disc to prevent access to wheel nuts either 150mm diameter or 270mm diameter dependent on model. (Larger diameter discs for wheels without trims).
- Uses Bulldog's highly developed plunge lock, drill and pick resistant. Can be locked without the use of keys. Over one million possible key combinations.
- Yellow powder coated stem section. Manufactured from 40 x 40mm hollow section steel. Adjustable for tyre width.

Model	'D' (mm)	'W' (mm) to include trim	Wheel Nut Disc Dia (mm)	Product Weight
CC100	480 - 640	155 - 215	150	7.1kg
CAT	480 - 640	155 - 215	270	8.2kg
DC400	580 - 740	190 - 255	270	9.0kg

Bulldog Security Products Ltd

Units 1 - 4 Stretton Road, Much Wenlock, Shropshire, TF13 6DH.

Tel: 01952 728171 Fax: 01952 728117

email: sales@bulldogsecure.com www.bulldogsecure.com