

EVENTA



BRITAIN'S LEADING
TRAILER MANUFACTURER

In Safe Hands

SPECIALISTS IN TRAILER DESIGN & ENGINEERING

For over 50 years, people have put their trust in our trailers, just ask an owner - they are not difficult to find. As specialists in trailer design and engineering, we have continued to set the standard both in the UK and throughout much of Europe.

We are an independent company with one focus: to build the best products on the market. More than 30,000 people choose our trailers each year - but we are not standing still. Our dedicated investment in new technologies and materials ensures that our products continue to exceed the expectations of our customers. We know that quality, strength, value and ease of maintenance are of vital importance to you. That is why we have made them the driving force behind everything we do.



Eventa M Gold with optional Alloy Wheels



Eventa M Gold with optional rug rack





Eventa M with Columbus (16.3hh horse)



Eventa L with optional Rug Rack



Eventa L Gold Living Area*



Sleeping accommodation for 2 people



Eventa M Living

The new Eventa

DESIGNED WITH YOU AND YOUR HORSE IN MIND

Your Ifor Williams Horsebox can now be a home from home for you as well as your horse. The Eventa range of horseboxes includes fitted living accommodation options. We have built on our 50 years of experience producing the UK's best trailers to produce this exciting range.

Listening to our customers

Before beginning the design and development of the Eventa, we took the time to listen to our customers to understand exactly what they wanted from this type of trailer. We spent five years carefully designing, testing and refining the trailer before we were completely satisfied that it would reach and exceed your expectations.

The perfect trailer for your horse

We produce more horsebox trailers than anyone else in the UK. The horse compartment in the Eventa range has been carefully designed to ensure your horse travels safely and comfortably. Combining the much loved qualities of the Ifor Williams range, with continuous design improvements, ensures that you are towing a safe and strong horsebox trailer.

The perfect trailer for you

The living area in the Eventa range has been designed to offer the best possible levels of comfort and functionality. There are two levels of finish: Base and Gold. The Base trailer is supplied with no fit-out to the living area allowing you to customise this area yourself. With Gold comes seating for three, sleeping accommodation for two, a sink and plenty of storage space and a gas cooking hob. Included as standard are also on-board 12v electrics, 50 litre water tank and a 12v electric water pump. The 12v electrics means you can add a host of additional options including electric fridge, hot water, TV and electrical flush toilet; it really is a home from home.

The Eventa comes in two sizes. The Eventa M is suitable for 2 horses whilst the Eventa L is suitable for 2/3 horses/ponies dependant on weight. Moving away from traditional trailers the partitions for the horses are at a herringbone angle – widely used on horsebox lorries.

As a further option the trailer can be supplied with the living area in a basic configuration. (NB the horse area is fully fitted on base trailer). The Base trailer is supplied with no fit-out to the living area allowing you to customise this area yourself**.

*Eventa L Gold Living Area with optional fridge, head locker and side window with flyscreen.
 **Always seek professional advice and guidance from your coach builder / body work specialist before undertaking any modifications. Work carried out on the trailer by the owner is done entirely at the owners risk and may invalidate your warranty.

Trailer Features

Combining Strength, Stability and Style

As vehicle design has evolved over the years, so have our horsebox trailers. The Eventa range has smooth curves and composite side and roof panels which give good thermal insulation.

What's our secret to a smoother ride? The Ifor Williams parabolic leaf spring suspension. Providing better shock absorption characteristics than rubber torsion suspension, horses travelling in an Ifor Williams horsebox trailer can expect a smoother and more comfortable towing experience.*



Cast Coupling

Cast couplings offer increased strength and robustness for safer towing for you and your horse.



Ramp

Concealed spring ramp for easy lifting.



Sliding Windows

Increase airflow with sliding tinted windows on both side walls.



Spare Wheel Cover

Protect the spare wheel with a waterproof tyre cover.

Spare Wheel

Positioned at the rear of the trailer, keeping side panels clear.



Suspension

The Ifor Williams leaf spring suspension provides better shock absorption than rubber torsion suspension. It has been tried, tested and proven reliable.



Eventa L tri-axle shown with optional Alloy Wheels and Side Locker

**NOW
AVAILABLE**
Optional Side
Locker on
Eventa L

Horse Area Features

The comfort and safety of your horse is of paramount importance to us. The herringbone angle of the partitions and the new partition arms as well as optimum ventilation ensures your horse is travelling in a safe, robust and comfortable horsebox. The design of the trailer is based upon the tried and tested features of the horsebox range.



Partitions and Head Partitions

The Lfor Williams Partitioning System is supplied on all Eventa models. It allows the horses to travel herringbone fashion facing rearward. The innovative pivoting retainer arm and anti-rattle hook allows the partition to be hooked in to position easily. Partitions are multi-positional thereby suiting the size of the horse and the trailer weight distribution. Two partitions are fitted as standard in the Medium Eventa, each with head partitions giving two stalls. Three partitions are fitted in the Large Eventa, each with head partitions giving three stalls.



Tack Locker

Eventa M and L have external access tack lockers.* The tack locker has room for two saddles with bridles. These also house the 12v battery, electric water pump and plumbing (if fitted).

* Not available on base trim



Storage Locker

The Eventa M has an additional storage locker fitted as standard on the horse area left hand wall*. There is space here for feed and extra tack. The storage locker is available as an option on the Eventa L*.

* All trim levels



Windows with Grills

Sliding windows offer ventilation with the grills coming as standard.



Interior Light

One on either side of the horse area closest to the ramp. Powered by the car electrics.



Aluminium Floor & Rubber Matting

Aluminium floors fitted as standard. Floors are covered with a 12mm thick rubber matting, providing a non-slip surface and excellent vibration absorption.



Inspection Door Locks and Lockable Grooms Door

A moulded door latch which is flush fitting with a smooth finish. Can be locked/unlocked from inside the trailer. (External grooms door fitted on Eventa M only. Internal grooms door on Eventa L).



Hay Net Rail and Tie Rail

This innovative accessory allows a hay net to be positioned perfectly for your horse on a rail above the window. The rail below the window allows the ring to be moved for tying the horse in the best place



HB Roof and Ventilation

Composite material roof with large ventilation area for increased air circulation and natural light. In the horse area there are six roof vents for the Eventa L whilst the M has four.



Ramp side gates

Ramp side gates facilitate easier and safer loading. Low bed height and ramp angle contributes to ease of use.



Living Area Features

The living accommodation in the Eventa M and L is bright, modern and comfortable. Having the space to store riding equipment and food or amenities is important for the owners and riders travelling further afield.

- **Base trim**, some accessories are available – check specification table on page 19.
- **Gold**, is fitted out with furniture, seating for three and sleeping for two, table and cupboards. Also included is cooking facilities and electric water tap. 12v services powered from on-board electrics allows the convenient use of a range of electric accessories such as 12v fridge and TV.”



Eventa L Living Area



Table

A dinette table which is repositionable for the sleeping arrangements.



Seating and Sleeping

Can fit three people round the table and will sleep two adults comfortably.



Sink

Sink is stainless with drainer. Electric tap works off on board battery.



Hob and Grill

Stainless steel four burner hob and grill.





■ **Roof Light - Living**

A permanently vented roof light with blind and flyscreen allows increased air circulation and reduces condensation.



■ **Vinyl Flooring**

Easy clean vinyl in Light Oak.



Gas Compartment

Both Medium and Large Eventa have a compartment suitable for a gas bottle – on all trim levels including Base. On the Gold version, the gas bottle fittings are included.



On Board 12v Battery

Standard leisure battery with 80 amp hours and an isolator switch.



Access Step

Step has an anti-slip surface for extra grip. This is also supplied on base trim.



■ **Storage x 3**

Headlocker storage above the hob on the Eventa L and extra storage under the seats. Optional headlocker above the sink.



■ **Living Area Storage**

Three drawers come under the grill. All over head lockers have a tall lip on them to prevent items falling out when the door is open.



Lockable Split Entrance Door With Window And Full Sized Flyscreen

Flush fitting locking mechanism, provides privacy for riders and their families. The insulated split door allows the top to be open when using the hob or for a breeze on a warm day and features a double glazed window with integrated blind. This is also supplied on base trim.



Living Area Layout

The standard furniture in the Medium Eventa comprises of seating for three, sleeping for two, dining table, sink unit, drawer unit (with hob and grill fitted on Gold) and cupboard with some hanging space.

The standard furniture on the Large Eventa comprises seating for three, sleeping for two, dining table, sink unit, drawer unit (with hob and grill fitted on Gold), cupboard with some hanging space, overhead storage and toilet cubicle.

The items on pages 12-15 are optional extras for trim colours shown and are available on medium and large unless otherwise stated.



Eventa M Living Area

Living Area Options

*The below options are available for trim colours shown. Available on medium and large unless otherwise stated.



Electric/Gas Fridge

Gas absorption, 12v or 230v hook up (3 way standard caravan style). This allows you to cool the fridge from domestic electrics, travel with car 12v electrics and maintain cool temperature at the event using gas. It is a 60 litre fridge with 5 litre freezer compartment.



Heater

A concealed blown air heater; gas powered.



Overhead Storage (over sink)

Optional overhead storage on both medium and large.



Hot Water

A 10 litre gas powered boiler provides hot water to the sink.



TV/DVD

18.5" 12v TV with built-in DVD, Freeview tuner and FM radio.



Eventa L Living Area with optional fridge, head locker and side window with flyscreen.

Living Area Options



*The below options are available for trim colours shown. Available on medium and large unless otherwise stated.



Double Glazed Large Front Window

Optional to all Eventa models to give extra natural light to the living section of the trailer. Opens on struts and has flyscreen and blind.



Double Glazed Side Window

Acrylic double glazed window above sink on right side panel. Includes fly screen and blind. Option on base model.



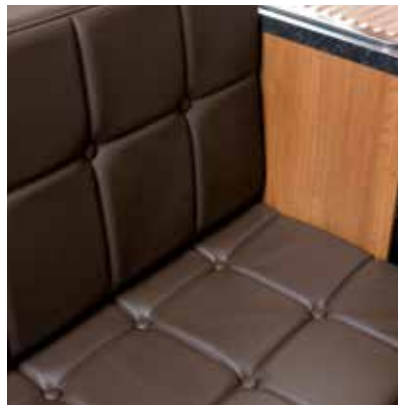
12v Sockets

Standard 10 amp cylindrical cigarette lighter sockets, situated underneath the table. TV/DVD is powered from one of these sockets and is also suitable for charging your phone. If a TV is specified by the customer then an extra socket will be supplied.



Manual Flush Toilet

Available for Eventa L only. An integral water tank is used to remove waste. The toilet is a fixed feature. It has a taller back which holds the water used to remove the waste.



Leather Upholstery

Optional extra instead of fabric seating area for an added luxurious feel and easier cleaning.



Internal Light – Powered from Car Battery

Standard on Gold. Internal lights are available on Medium and Large living areas for Base trim - powered by towing vehicle 12v electrics. Internal lights are standard for Medium and Large Gold trim (powered by on-board electrics).



Mirror

Acrylic mirror is optional. Perfect for riders checking their tie/stock last minute.



Outside Tap

Optional only for Gold trim due to the electrical requirements. Allows a hosepipe attachment.



■ **Electric Flush Toilet**

Available for Eventa L only. 12v battery supply is necessary for this. It is a fixed feature in the toilet compartment in Gold trim which also includes a sliding window.



□ ■ **Porta Potti**

Conveniently comes in two parts for disposal of waste easily and hygienically.



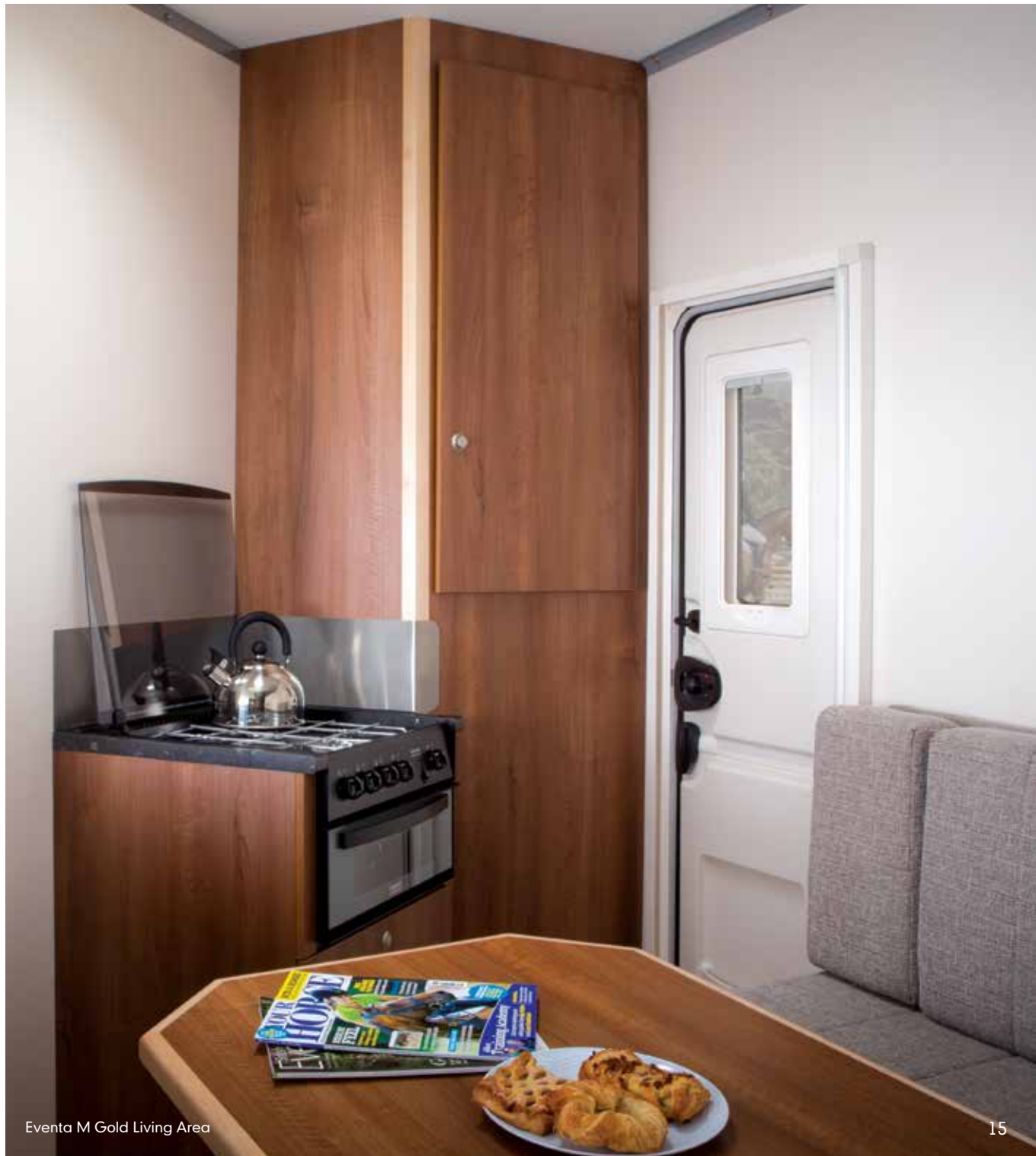
■ **Waste Cassette**

Accessible from outside the trailer to hygienically remove waste. Included as part of manual/electric flush toilet.



■ **230v Hook Up**

Use for charging up trailer electrics before leaving home.



Trailer & Horse Area Options

Add some finishing touches to your trailer with our wide range of additional accessories, some of which are exclusive to Ifor Williams Trailers.

Please check with your distributor before you purchase if optional accessories are a factory fit item or if they can be fitted by your distributor.



Alloy Wheels

Give your trailer the wow factor by adding a set of exclusive alloy wheels with Ifor Williams Trailers branded centres (excludes spare wheel).



*Awning/Safari Room

Panel mounted 2.5m extension, 3.5m long. Perfect for shelter from wind, rain or sun. Excellent addition to your trailer which adds even more space to your living area.



Prop Stands

Consider prop stands if loading when decoupled. Additional support will reassure nervous horses.



Rug Rack

An optional galvanised steel rug rack.



Trailer Aid™

Use it once and you will never be without it. Used when replacing a flat or punctured tyre. Saves time and energy as there is no need to use a jack.



Wheel Chocks

Recommended for use when uncoupling, parking and in place of the handbrake when storing your horsebox for a length of time.



Tie Rings

Distributor fit to suit customer requirements.



Feed Buckets

Will hook over a gate or door but also designed for feeding horses whilst standing in the trailer. Hooks on to horse partition retainer rail.

*Safari Room option is not suitable for all applications as it may interfere with the side locker door: Check with Distributor when ordering.



Trailer Cover

Protect your trailer from the elements with a waterproof and breathable trailer cover.



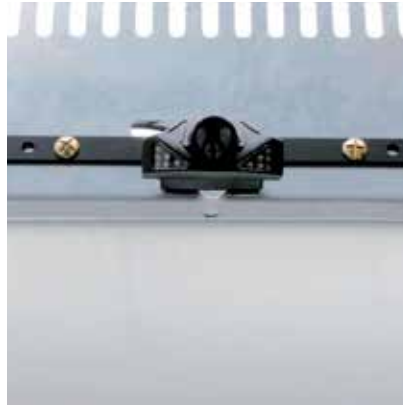
Saddle Rack

Suitable for two 18" saddles on two saddle rack poles. It is advisable for saddles to be fitted with covers to prevent damage.



Horse and Trailer Camera

Optional on all models – a wireless waterproof, day and night camera system which transmits live colour footage from the trailer interior to the towing vehicle, enabling passengers to monitor horses during transit. Can be powered from the battery pack or trailer lighting system. Supplied loose and requires fitting.



Eventa M Gold with Radley and Custard the dog

Finish Levels

The living accommodation in the Eventa M and L is bright, modern and comfortable. Having the space to store riding equipment and food or amenities is important for the owners and riders travelling further afield.

Base trim, some accessories are available – check specification table on page 19.

Gold, is fitted out with furniture, with seating for three and sleeping for two, table and cupboards. Also included is cooking facilities and electric water tap. 12v services powered from on-board electrics allows the convenient use of a range of electric accessories such as 12v fridge and TV.

Eventa M

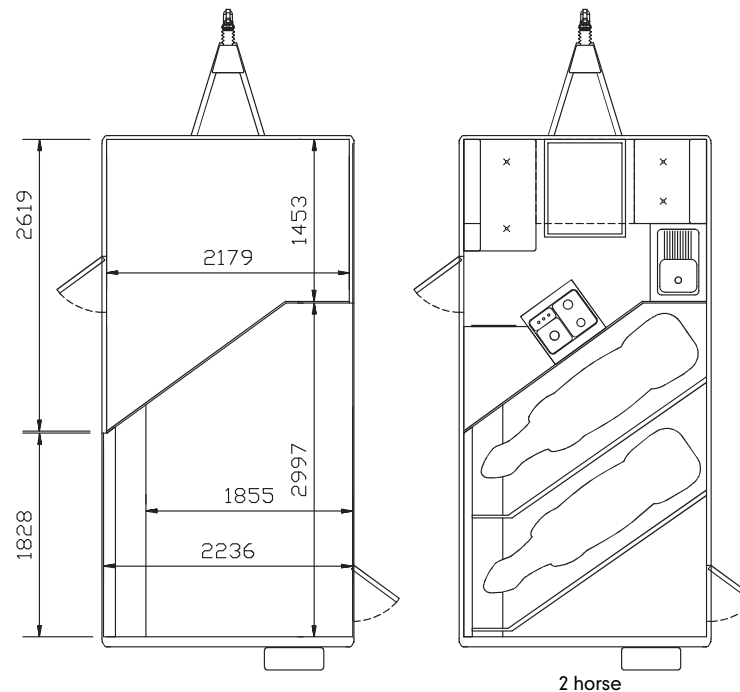
Tyres	195/60R12C
Maximum Gross Weight	3500kg
Overall Height	3.02m
Overall Width	2.33m
Overall Length	5.96m
Internal Height	2.29m
Internal Width	2.21m
Internal Length	4.45m
Stall Width - adjustable	0.8m nominal
Stall length min/max	2.2/2.5m

Eventa M can carry horses up to 16.2hh. Whilst Eventa L can carry horses up to 17hh**

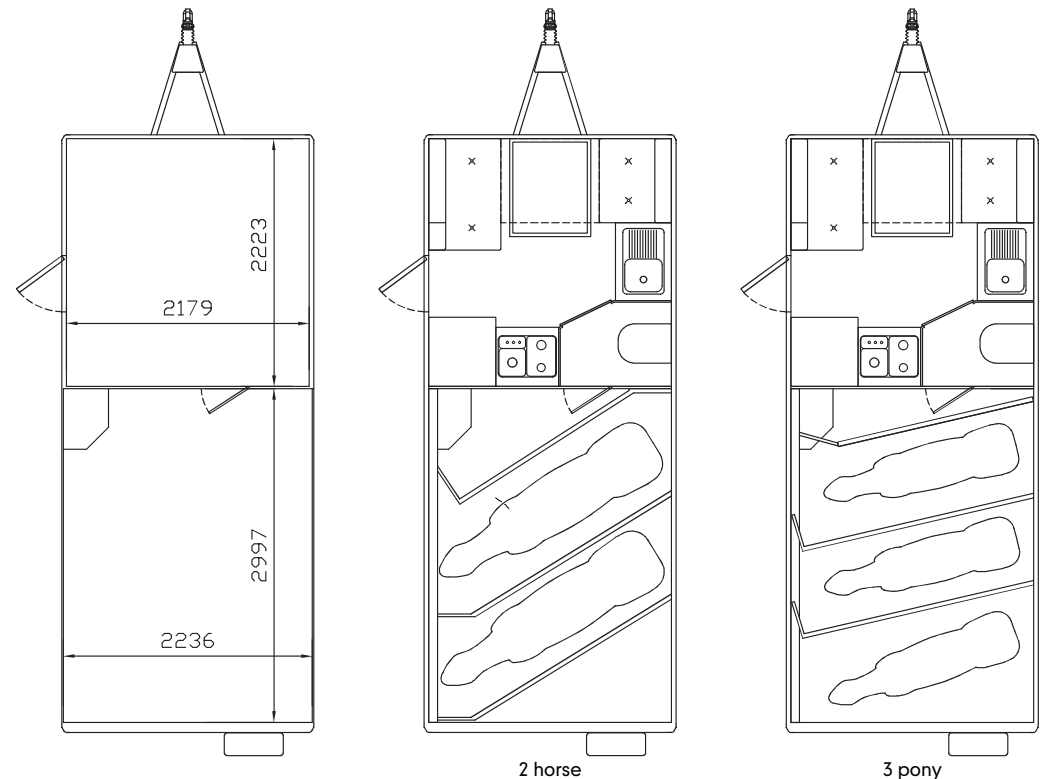
Eventa L

Tyres	195/60R12C
Maximum Gross Weight	3500kg
Overall Height	3.02m
Overall Width	2.33m
Overall Length	6.73m
Internal Height	2.29m
Internal Width	2.21m
Internal Length	5.22m
Stall Width - adjustable	0.8m nominal
Stall length min/max	2.2/2.5m

**Dependent on weight and size of horse.



Base model comes as a completely empty living option. No tack locker compartment comes with this level. The horse area is fully equipped as per gold.



Trailer weights*

	BASE	GOLD
Eventa M**	1651kg	1809kg
Eventa L**	1750kg	1952kg

Services

Water	-	STD
Gas	-	STD
Electric	-	STD

Features / Options

			FEATURE WEIGHT
Side Storage Locker (Eventa L)‡	OPTION	OPTION	60kg
Table/Seating/Sleeping	N/A	STD	-
Sink/Manual Pump Tap	N/A	N/A	-
Sink/Electric Pump Tap	N/A	STD	-
Overhead Locker (over sink)	N/A	OPTION	12kg
Vinyl Flooring	OPTION	STD	5.8kg
Front Window	OPTION	OPTION	-
Gas Compartment	STD	STD	-
Side Window	OPTION	OPTION	-
Mirror	N/A	OPTION	1kg
Leather Upholstery	N/A	OPTION	1kg
Rooflight (Living)	OPTION	STD	-
Hob	N/A	N/A	-
Hob and Grill	N/A	STD	-
Electric/Gas Fridge	N/A	OPTION	20kg
Outside Tap	N/A	OPTION	1kg
Heater	N/A	OPTION	5kg
Hot Water (sink)	N/A	OPTION	7 or 17kg w/water
Manual Flush Toilet (Eventa L only)	N/A	OPTION	7 or 24kg w/water
Electric Flush Toilet (Eventa L only)	N/A	OPTION	7kg
Porta Potti	OPTION	OPTION	5kg
Shower (Eventa L only)††	N/A	OPTION	10kg
Interior Light Living	OPTION †	STD	1kg
Interior Light Toilet (L only)	N/A	STD	1kg
On Board 12v Battery	N/A	STD	-
12v Sockets	N/A	OPTION	0.5kg
240v Hook Up	N/A	OPTION	7kg
TV/DVD (12v)	N/A	OPTION	6kg
Saddle Rack & Bridle Hooks	N/A	OPTION	4kg
Horse and Trailer Camera (supplied loose)	OPTION	OPTION	0.5kg
Rug Rack	OPTION	OPTION	5kg
Feed Buckets	OPTION	OPTION	1kg
Trailer Aid™	OPTION	OPTION	2.4kg
Prop Stands (pair)	OPTION	OPTION	4.4kg
Tie Rings (each)	OPTION	OPTION	0.25kg
Trailer Cover	OPTION	OPTION	15kg L / 12.5kg M
Awning/Safari Room#	OPTION	OPTION	16.2kg
Alloy Wheels	OPTION	OPTION	-7.5kg***

*Unladen Weights are indicative. 100kg should be added for a Tri-axle Eventa L. **Weights include standard features only.

***Alloy wheels reduces weight of trailer by 7.5kg † Powered from Car Electrics/Battery. ‡ Included as Standard on the Eventa M (all trim levels).

†† Hot Water accessory must be ordered with the shower. It is also recommended that the additional water tank is ordered.

Safari Room option is not suitable for all applications as it may interfere with the side locker door. Check with Distributor when ordering.

Other Colours



The standard colour for the trailer is silver. Other colours are possible at an extra cost.



Specifications

THE IFOR WILLIAMS COMMITMENT TO TRAILER SECURITY

Each trailer is fitted with an ID plate which has a unique serial number etched on it. Additionally, the drawbar has a different unique number cut through it, which is virtually impossible to alter without noticeably affecting the appearance of the numbers and galvanised finish.

TER - THE NATIONAL PLANT AND EQUIPMENT REGISTER

When you register your new trailer it is automatically registered with TER (The National Plant and Equipment Register). Their mission is to combat plant theft and fraud in the UK and Europe. By registering ownership, both technical and marking details can be made available to international police forces through TER. All Ifor Williams Trailers include free registration to TER once your trailer is registered by your distributor. For further information on TER please see their web site at www.ter-europe.org

DATATAG

Datatag is Europe's leading electronic tagging system and was originally developed to combat theft in the UK motorcycle industry. Datatag transponders (tags) are miniature transmitters. These are hidden deep within the trailer during manufacture, and transmit a unique code that can only be read with special scanning guns. These are issued to Police and HM Customs free of charge. On recovery of a stolen trailer the identity of the trailer can be verified and the rightful owner contacted.

For further information on Datatag please visit their web site at www.datatag.co.uk

Datatags are fitted as standard to all Ifor Williams Horsebox trailers for extra security and peace of mind.

* Without weight of water included



Ifor Williams Trailers Ltd
Cynwyd, Corwen,
Denbighshire LL21 0LB UK
Telephone +44 (0)1490 412527
sales@iwt.co.uk

For further information visit our
comprehensive website
www.iwt.co.uk

Product design, descriptions, colours, specifications etc. correct at time of going to press. We constantly strive to improve our products, and from time to time this may result in changes to our range or to individual models. Please check that design, description, colours and specifications described in this brochure are still valid at the time of placing an order.

Our distributors have extensive product knowledge and will be pleased to offer assistance in the selection of your trailer.

© Ifor Williams Trailers Ltd 2016. All rights reserved.

No part of this publication may be reproduced in any form or by any means, without the prior written permission of Ifor Williams Trailers Ltd.

We would like to thank the following organisations/people for assisting in the production of this brochure: Dr Laura-Beth Pilkington, Aintree Holsteins/ Shordley Hall Farm, Debbie Poletti, Emily Boothroyd, Megan Butterworth and Catton Hall.